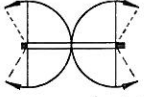
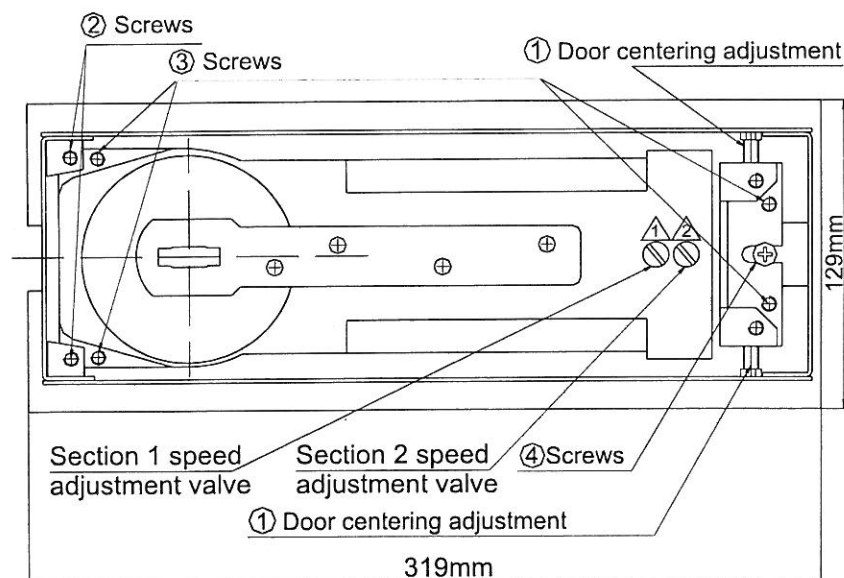
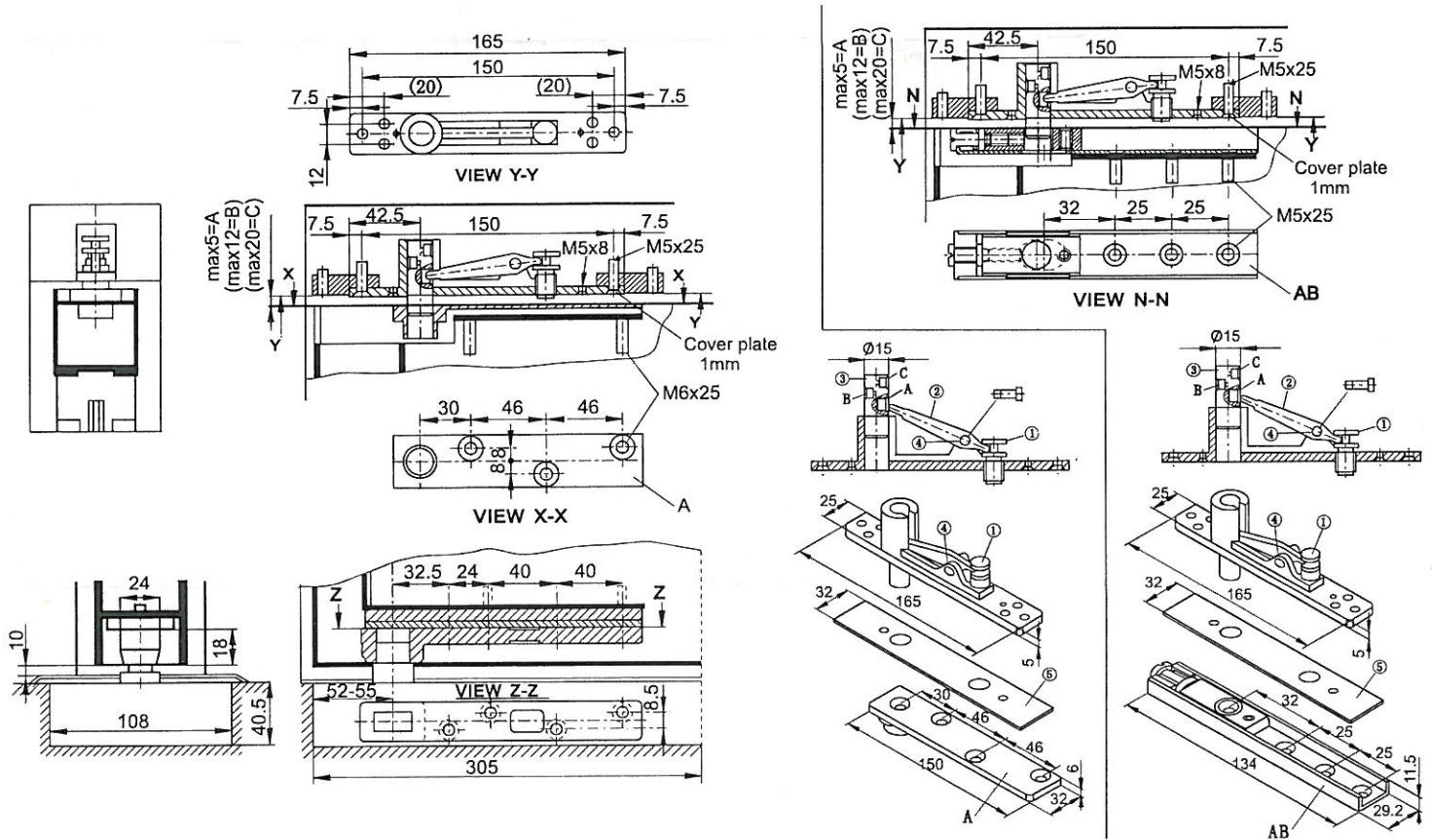


Installation Instructions for Dual-Action Floor Spring

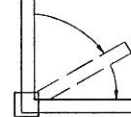
Opening	Hold Open	Max width (mm)	Max door weight(kg)	Model
Double door dual-action application  Maximum opening :130°	-Non hold open	1200	130	Briton 5004
	-90° hold open	1150	110	Briton 5003
	-105° hold open	1000	90	Briton 5002



Speeds

Section 1 :Closing speed 130°-15°

Section 2:Latching speed 15°-0°



Door positioning and speed adjustments

- Adjust screws ② and ④ to keep the center line of floor spring spindle in line with center of the top-frame pivot.
- Adjust screws ① to center the door position.
- Adjust screws ③ to keep door parallel to the ground.
- Turning speed adjustment valves:
 - ▲ (For closing speed adjustment)
 - ▲ (For latching speed adjustment)
 Clockwise decreases speed, increases speed counterclockwise.

Briton